

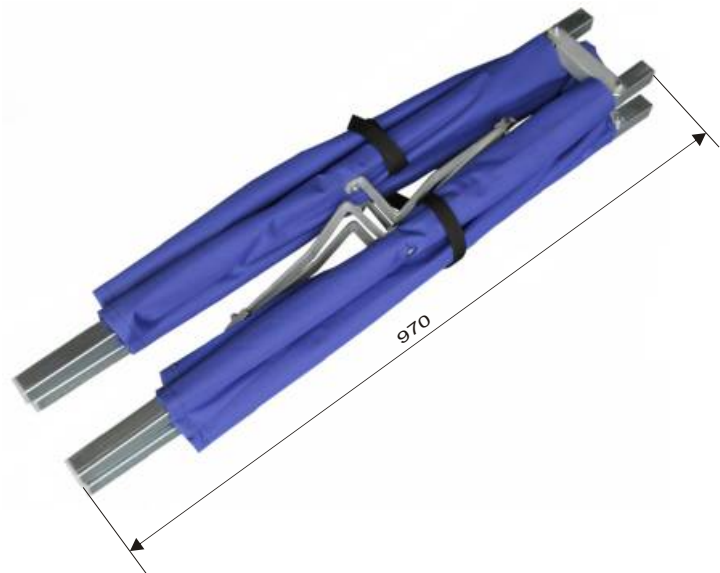
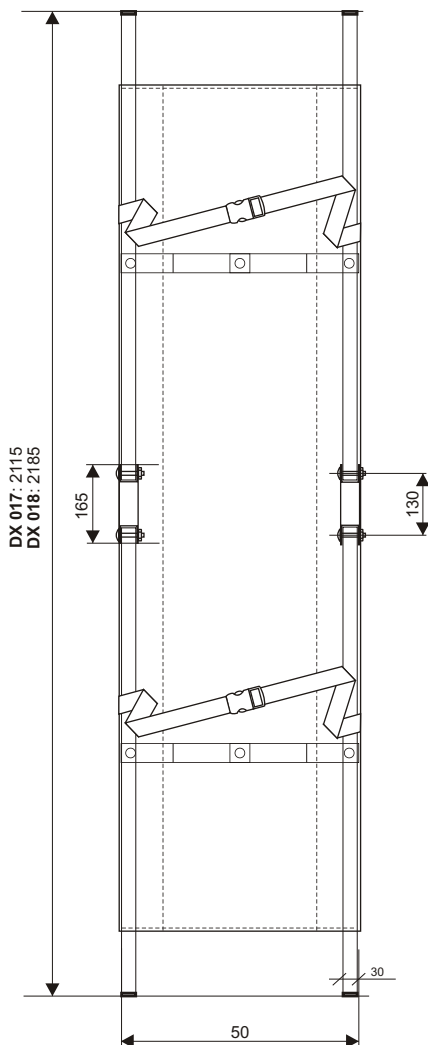
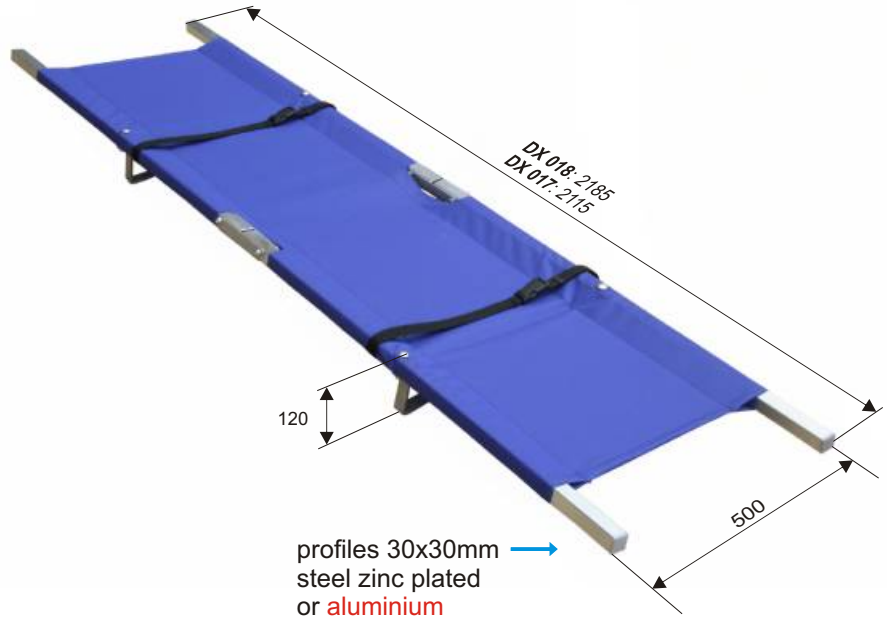
Stretchers

DX 017 rescue stretcher

Ref.: DX 017
Steel profiles. Weight: 10kg

DX 018 alu rescue stretcher

Ref.: DX 018
Alu profiles. Weight: 4,9kg



steel stretcher - 10 kg
alu stretcher - 4,9 kg